

PRODUCT MODEL NUMBER: TL-AP-31 IN-WALL ACCESS POINT



DISCLAIMER

No part of this document may be reproduced in any form without the written permission of the copyright owner. The contents of this document are subject to revision without notice due to continued progress in methodology, design and manufacturing. TRANSLITE GLOBAL LLC shall have no liability for any error or damage of any kind resulting from the use of this document.

COPY WARNING

This document includes some confidential information. Its usage is limited to the owners of the product that it is relevant to. It cannot be copied, modified, or translated in another language without prior written authorization from TRANSLITE GLOBAL LLC.

PRODUCT OVERVIEW

TL-AP-31 In-Wall Access Point: - a cutting-edge wired and wireless access point that integrates high-speed 802.11n Wi-Fi into an ultra-sleek, low-profile design.

Designed for offering converged services within hotel rooms and school dormitories, the TL-AP-31 offers an easy way to offer multiple connections into a single room without multiple cables.

The TL-AP-31 delivers high-performance 2.4GHz 802.11n wireless coverage and a wired Ethernet access connection, which can be used to connect PCs or other devices.

The TL-AP-31 is powered by a single PoE cable drop with no additional cabling, switch ports, and power sourcing equipment.

Its inconspicuous appearance allows the access point to blend nicely in the room. The TL-AP-31 can be easily installed via an RJ45 PoE port.

TL-AP-31 can be configured as a standalone device or centrally managed by the TRANSLITE Wi-Fi Controllers.

TL-AP-31 can broadcast up to four SSIDs per device.

KEY FEATURES

- Integrated Wireless AP and Ethernet switch
- High-performance 2.4GHz 802.11n Wi-Fi
- 1 x RJ45 Ethernet port for access
- 1 x RJ45 Ethernet PoE port for uplink
- 4 x SSIDs, Seamless roaming between APs
- Security modes: WEP, WPA-Enterprise, WPA2-Enterprise, WPA-PSK, WPA2-PSK
- 300Mbps wireless transmission rate
- FIT/FAT AP modes

➤ **Superior, fast Wi-Fi connectivity**

The 802.11n standard delivers high-speed connectivity and extends coverage in-room and beyond.

➤ **Compatibility**

TL-AP-31 supports IEEE 802.11n, IEEE 802.11b and IEEE 802.11g. The multi-protocol compatibility promotes the capability to connect a wide range of wireless devices.

➤ **Standalone or Centrally Managed**

TL-AP-31 can be configured in FAT mode or centrally managed in FIT mode by the TRANSLITE WiFi Controllers.

➤ **PoE and Wall Mount**

TL-AP-31, powered by PoE technology, can be installed into a standard 86mmx86mm socket.

➤ **Wireless Security**

TL-AP-31 offers multiple wireless security modes: WEP, WPA-Enterprise, WPA2-Enterprise, WPA-PSK and WPA2-PSK. Wireless MAC address filtering provides users with comprehensive protection for wireless transmission to keep networks far away from intrusions and attacks.

➤ **Multi-SSID**

TL-AP-31 supports up to four SSIDs. Users can customize the configuration of each SSID. This feature will ensure the security of SSIDs in different service zones.

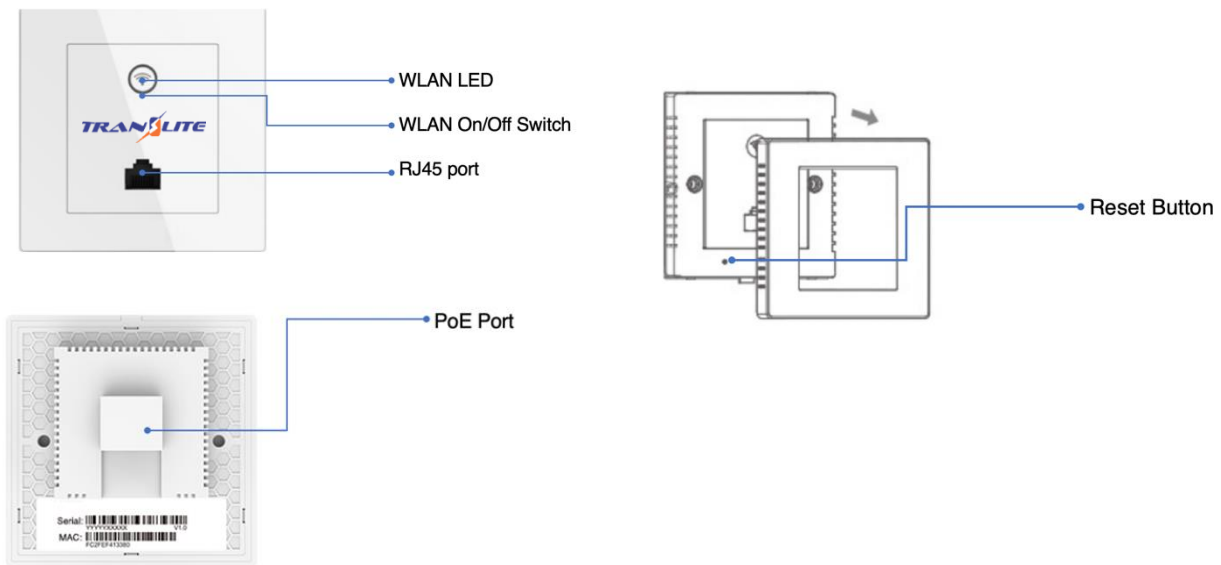
➤ **Roaming**

TL-AP-31's roaming will ensure that the wireless device keeps connected to the network of the same service zone. Users' network connections won't be interrupted while moving from one access point coverage zone to another.

➤ **Sleek, inconspicuous compact form factor for best aesthetics**

The aesthetically pleasing design allows the TL-AP-31 to blend nicely into the hotel rooms and school dormitories. It appears with a nice decorative appearance.

INTERFACES, BUTTONS & LEDs

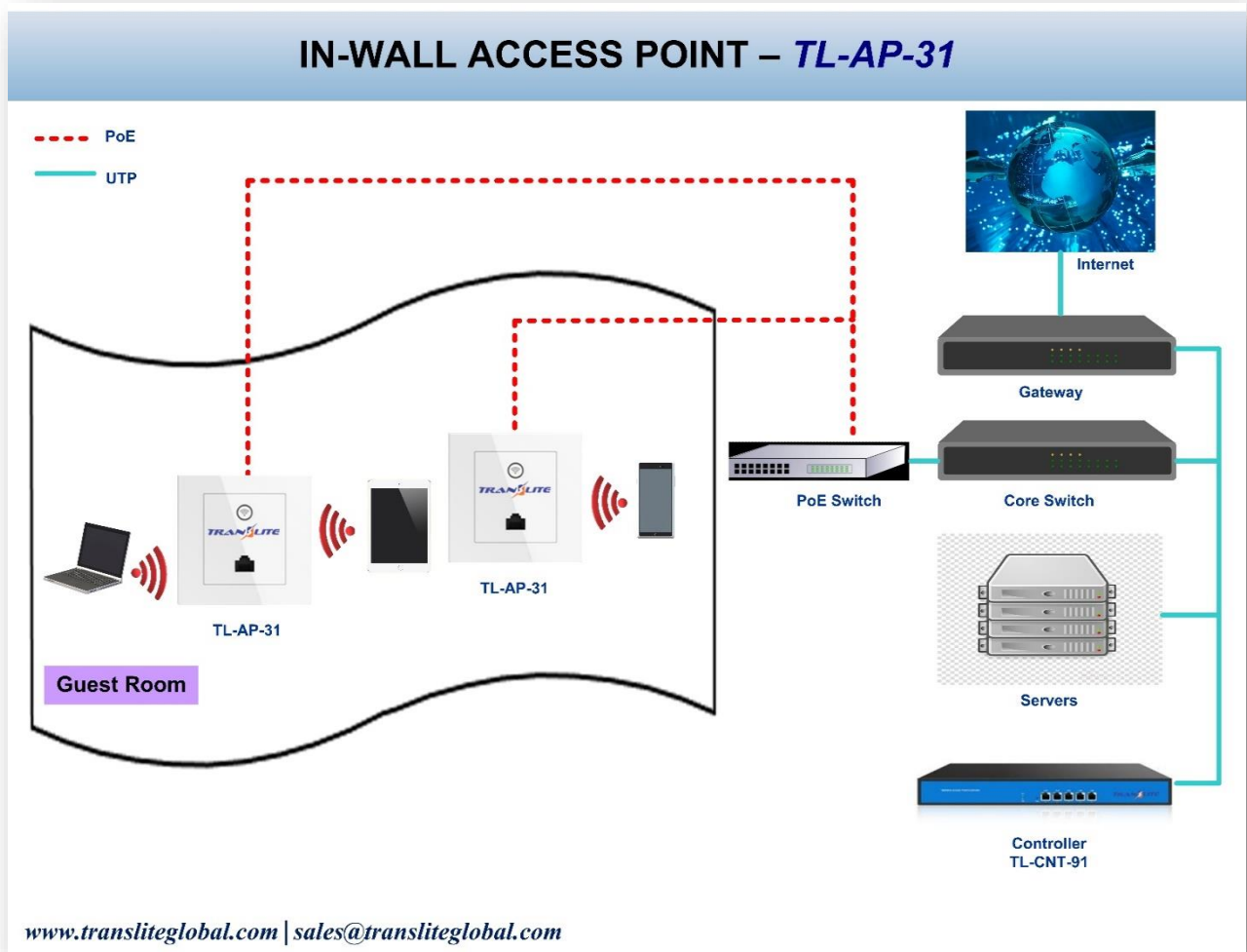


SPECIFICATIONS

Network	
Interface	1 x 10/100 Mbps Fast Ethernet port, with support for 802.3af PoE
	1 x 10/100 Mbps Fast Ethernet port (Auto-negotiation, auto MDI/MDIX)
VLAN Support	Yes
Number of VLANs	4
Wireless	
WLAN	IEEE 802.11b/g/n
Speed	300Mbps
Radio Frequency	2.4GHz
Multiple SSIDs	4 x SSID
Operating Channels	2.4GHz: 1 to 11, auto channels selection

WLAN Security	WEP, WPA-Enterprise, WPA2-Enterprise, WPA-PSK, WPA2-PSK
Operating Modes	Access Point mode
Antennas	2 x internal antennas
Antenna Gain	3dBi
RF Power	100mW
SSID Broadcast Control and hiding	Yes
Wireless Isolation	Yes
WMM	Yes
Quality of Service (QoS)	
Rate Limiting	Fixed rate limiting
Management	
Deployment	Standalone (FAT mode) Centrally managed by TRANSLITE WiFi Controllers (FIT mode) and Cloud
Management Protocols	HTTP(Web GUI)
Event Logging	Local, email alerts
Upgradability	Firmware upgradable through web browser, imported/exported configuration file
System Time	Supports SNTP, Day Light Savings, Manual entry
Languages	English
Physical Specifications	
Dimensions	3.4 x 3.4 x 1.2 in (86 x 86 x 31 mm)
Weight	0.44lb. or 200g
Ports	LAN
Buttons	Reset
LEDs	WLAN
Power	802.3af PoE
Power Consumption	3.5W max.
Operating Temperature	0 to 40°C (32 to 104 F)
Operating Altitude	0 to 4000m
Operating Humidity	10 to 90 percent non-condensing

APPLICATION



For Sales

North America:
sales@transliteglobal.com

Asia:
sales@translite.co.in

Rest Of The World:
sales@transliteglobal.com

For Support

North America:
support@transliteglobal.com

Asia:
support@translite.co.in

Rest Of The World:
support@transliteglobal.com